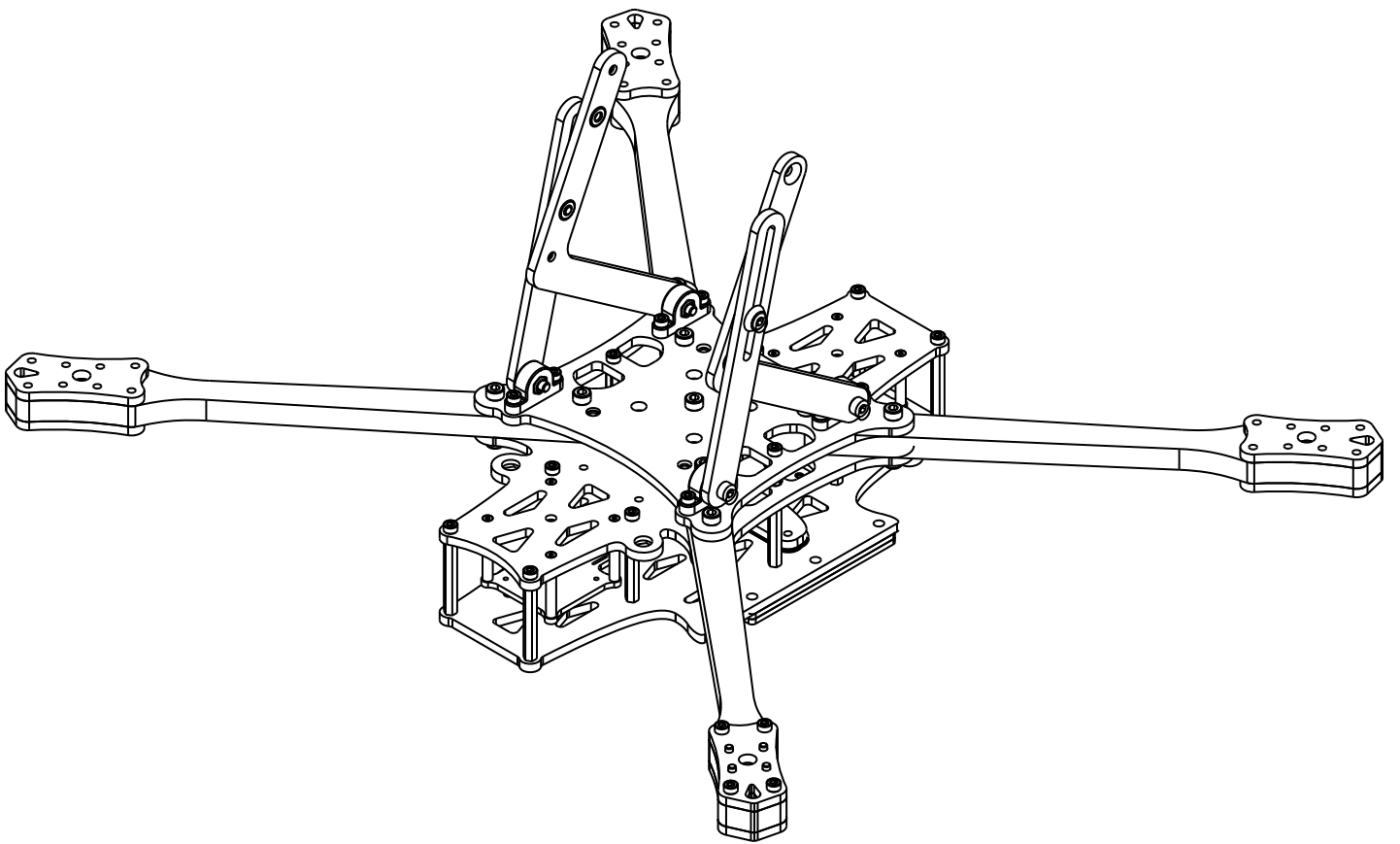


HNY Badger 9"

Cinelifter Frame



General

Orientation

The main plates have press nuts and countersunk holes. Make sure the outer/ bigger part of the press nuts point to the center of the frame, while the countersunk holes point away from it.

Parts included

- All required screws to build the frame
- Additional screws for the DJI Airunit and Komodo mount
- 2 spare screws for each type (incl. cap head screw washer)

- All carbon parts for the frame
- Battery quick release mounting plate (4x)

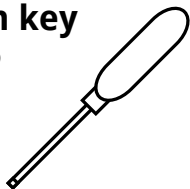
Not included, but required

- 3D printed FPV camera mount and battery clamps (landig plate mount on the batteries)
- Screws and standoffs for the FC and ESC installation
- Mono-Fiber-inforced tape (mounting the battery to the battery plate)

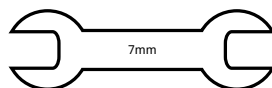
Required tools

Allen key

m1,6
m2
m3
m4



7mm (socketed) wrench



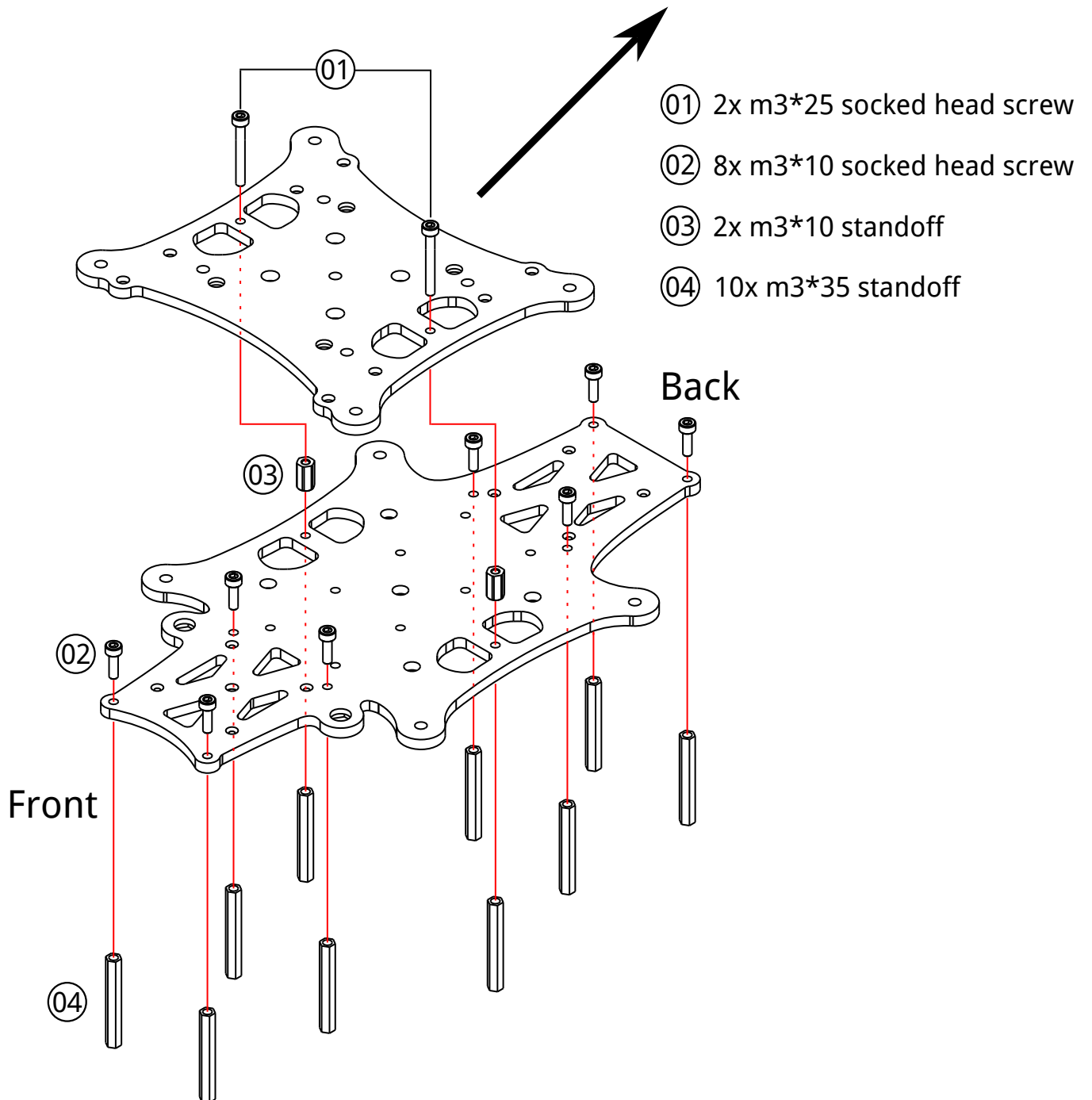
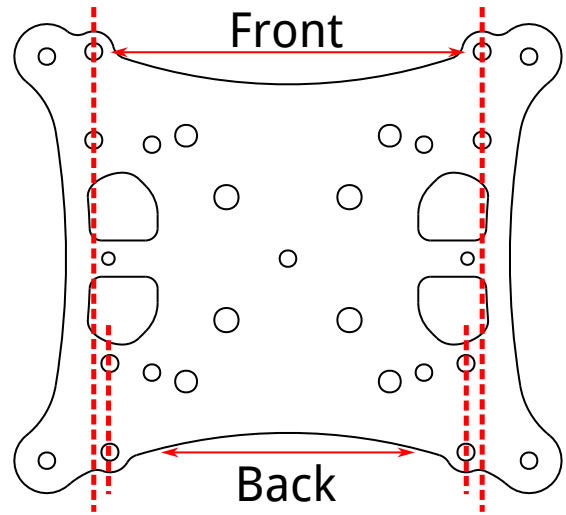
Recommended gear

- Tmotor Cine 55A 8in1 ESC
- RADIX 2 HD FC (or any FC with 30,5*30,5mm mounting holes and 8 motor outputs))
- DJI O3 Airunit
- RED Komodo camera
- Tattu 4500mah 6s Rline XT90
- Brotherhobby Avenger 2816 1050kv (or any motor with 19*19mm base)

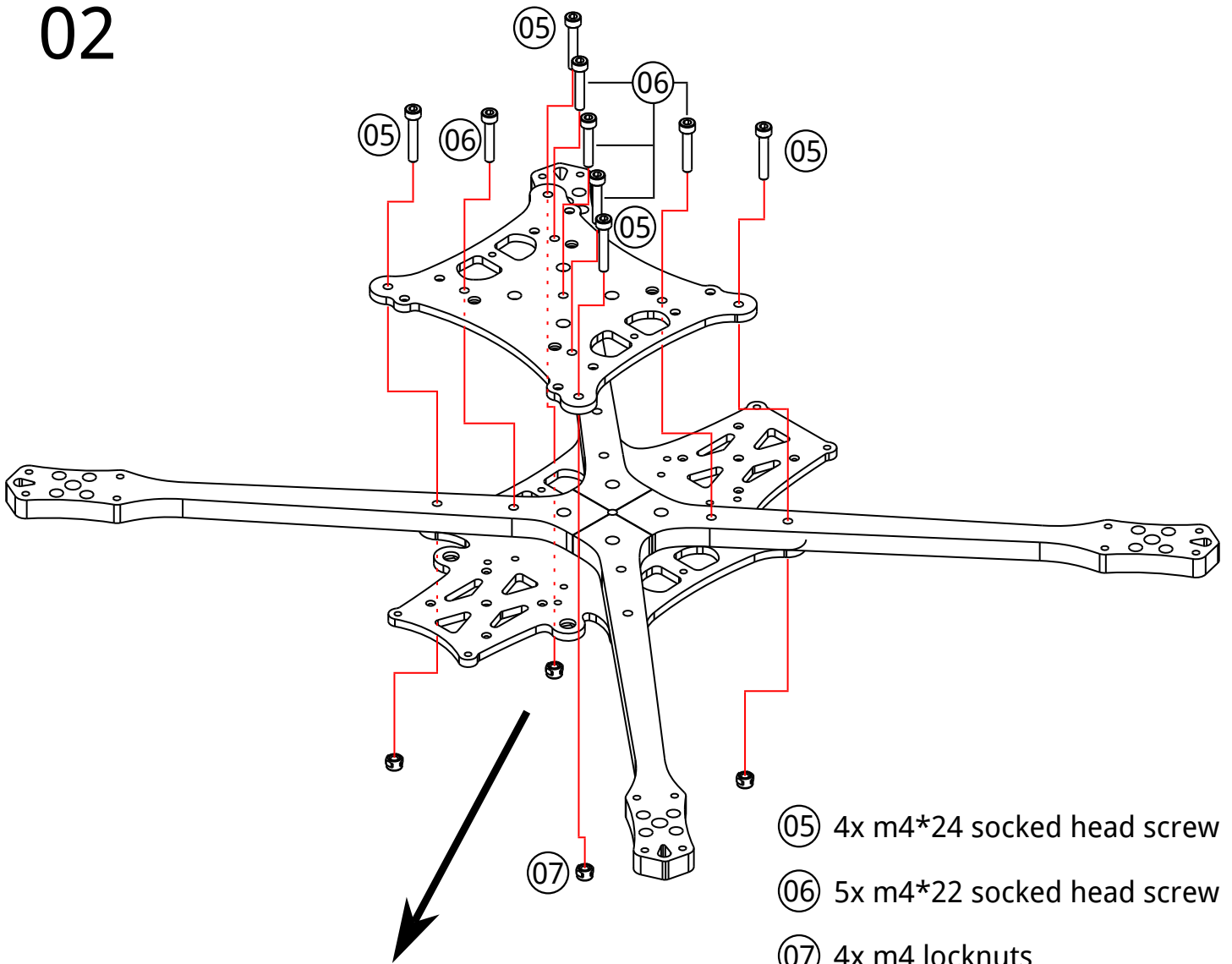
01

Important Note

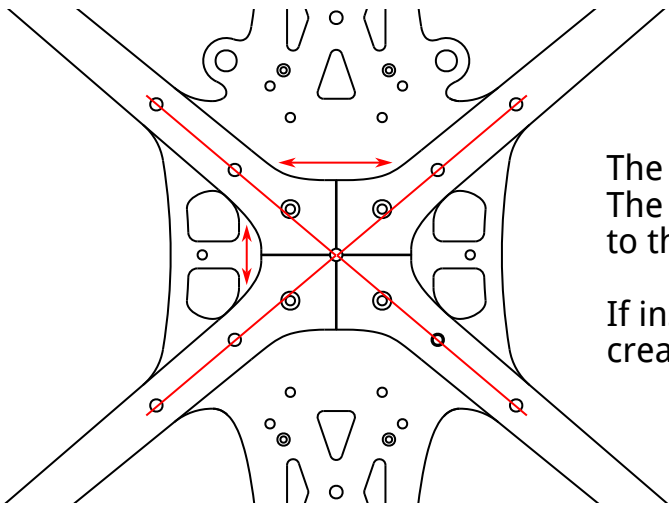
Make sure the wider holes of the Komodo holder are on the front



02



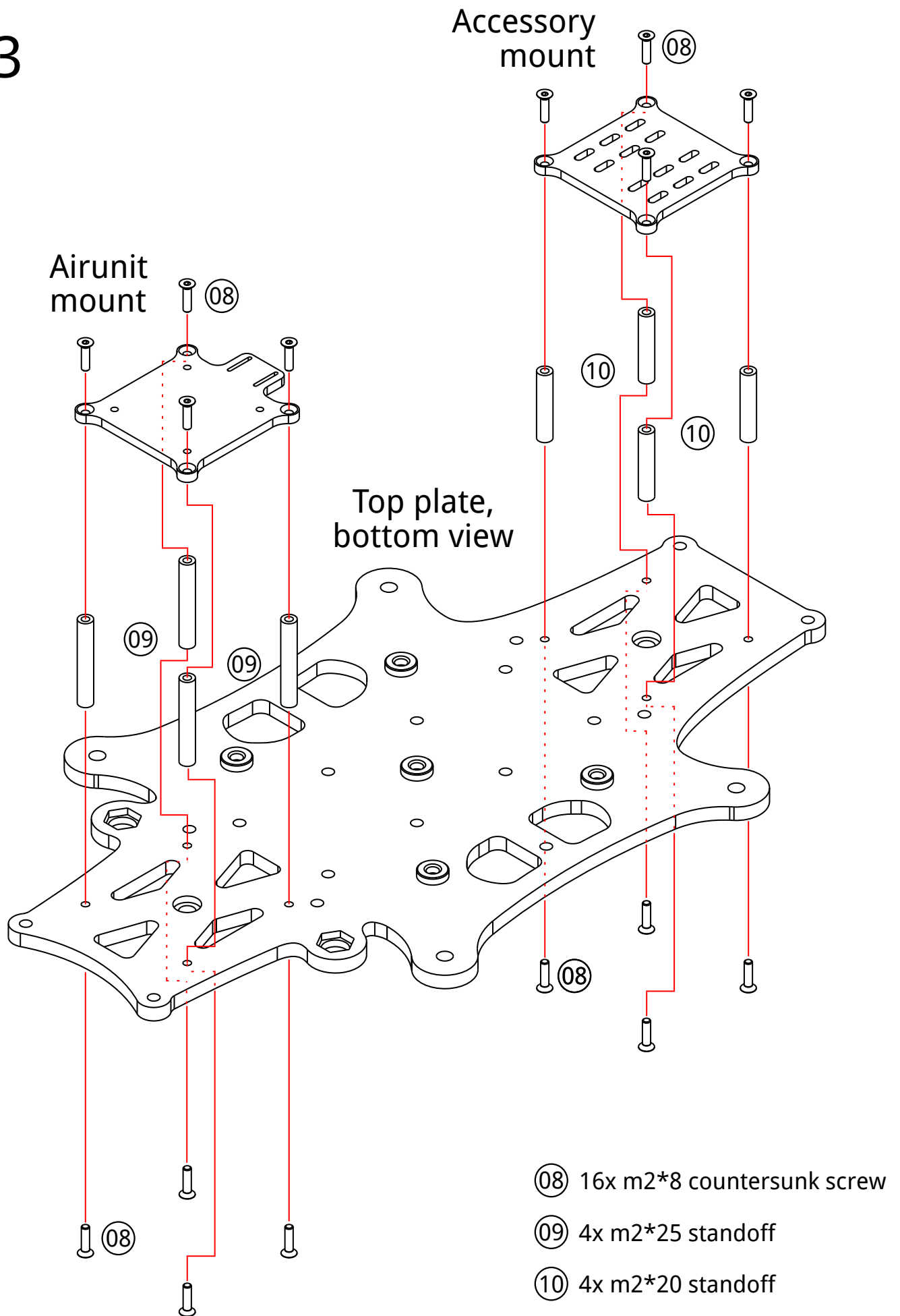
- ⑤ 4x m4*24 socked head screw
- ⑥ 5x m4*22 socked head screw
- ⑦ 4x m4 locknuts



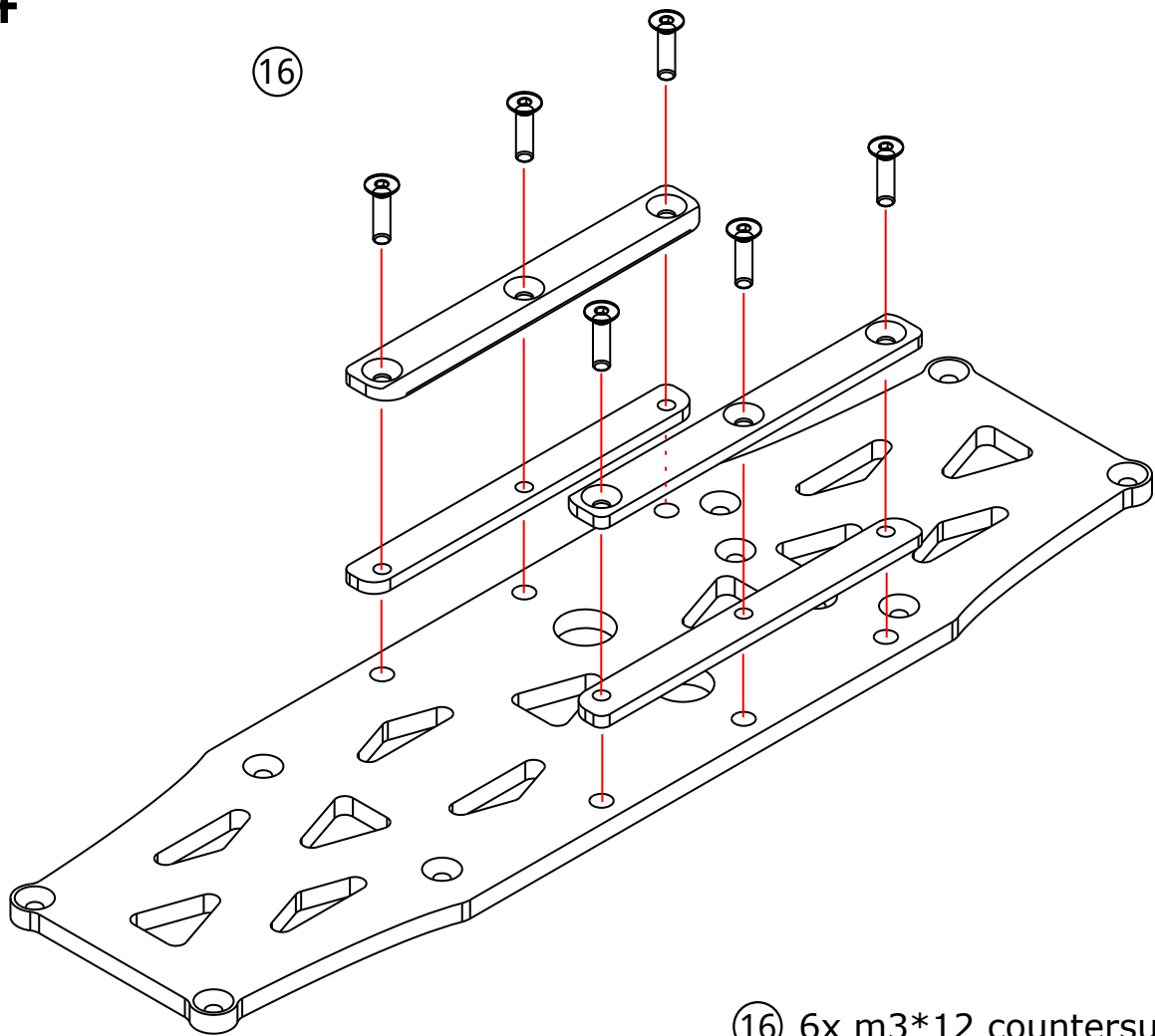
The arms are asymmetrical.
The longer sides need to point
to the front and back side.

If installed correctly the arms
create a tight fit

03

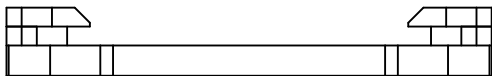


04



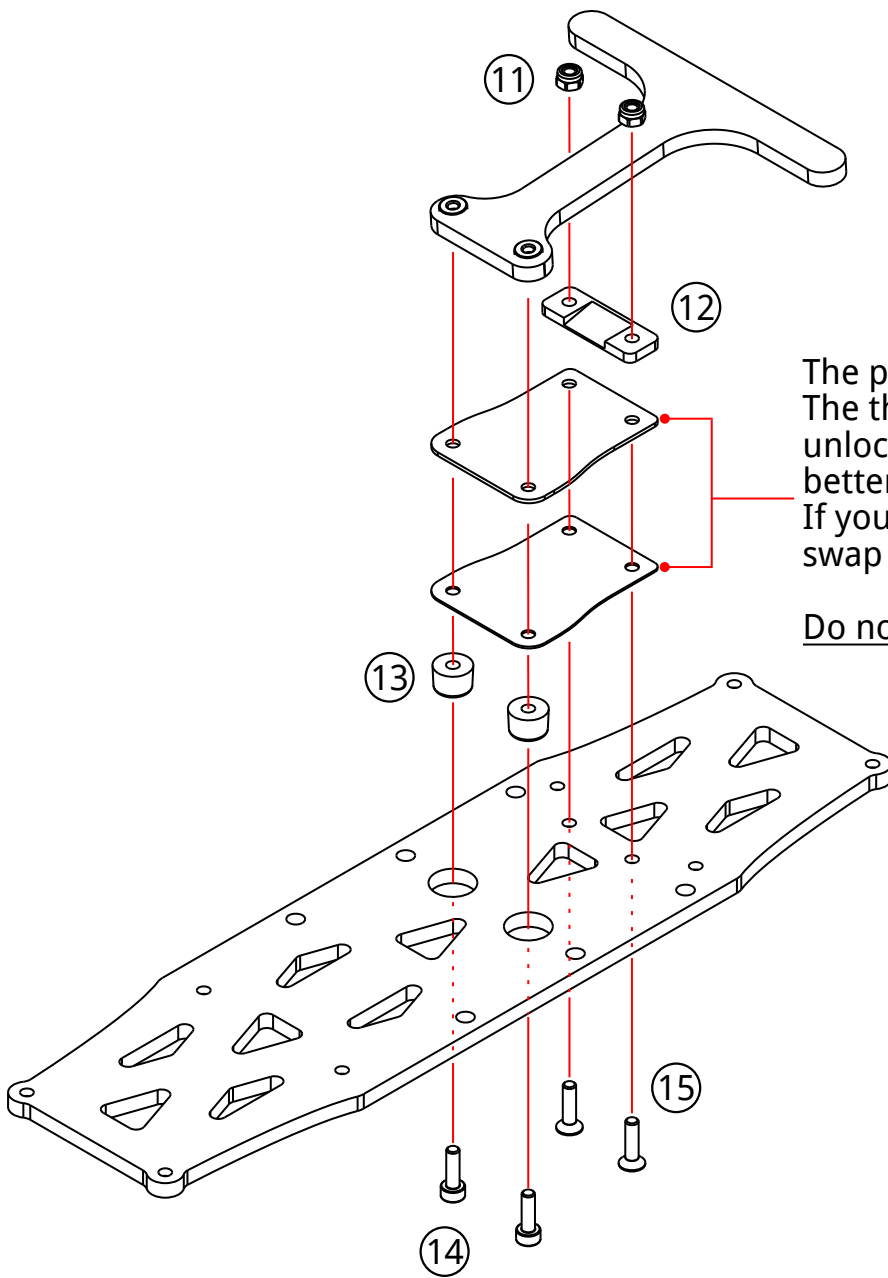
⑩ 6x m3*12 countersunk screw

View from the front,
bottom up



05

Fully assemble the ejector before mounting it to the bottom plate of the main frame

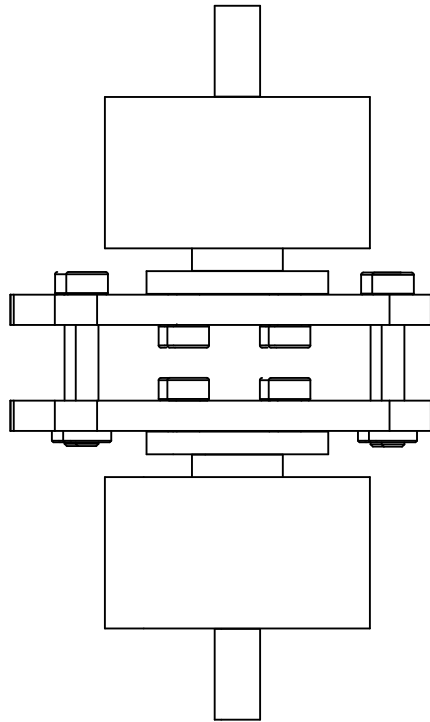


The package includes two feather boards. The thicker one requires more force to unlock your battery, but it will hold it better in rough situations. If you feel it is too stiff, swap it for the thinner one.

Do not use both boards together!

- ①① 2x m3 self locking nut
- ①② 1x aluminum spacer
- ①③ 2x metal parts
- ①④ 2x m3*10 socked head screw
- ①⑤ 2x m3*12 countersunk screw

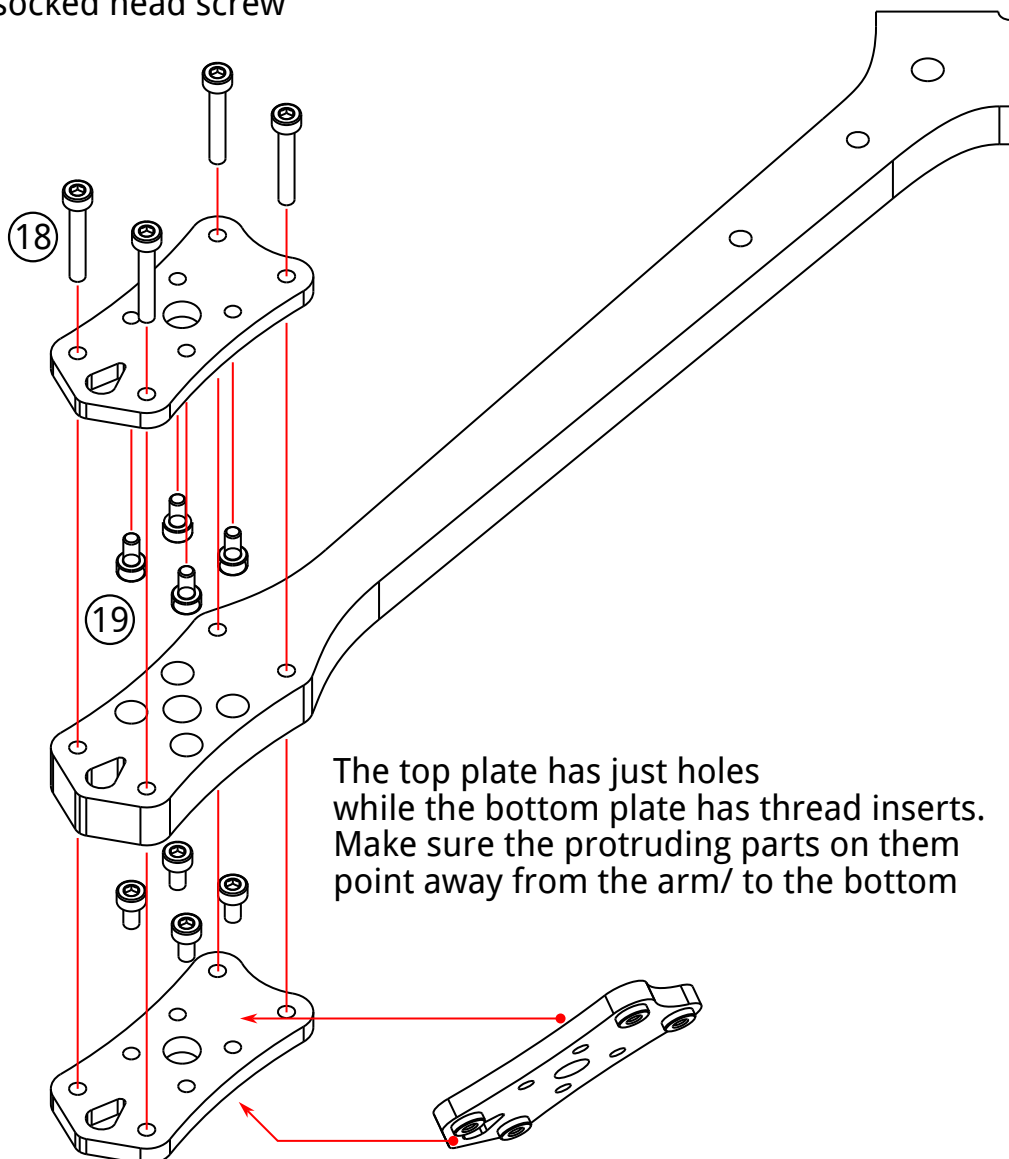
06



Install your motor first, then continue with installing the mounting plates on to the arms

⑱ 16x m3*20 socked head screw

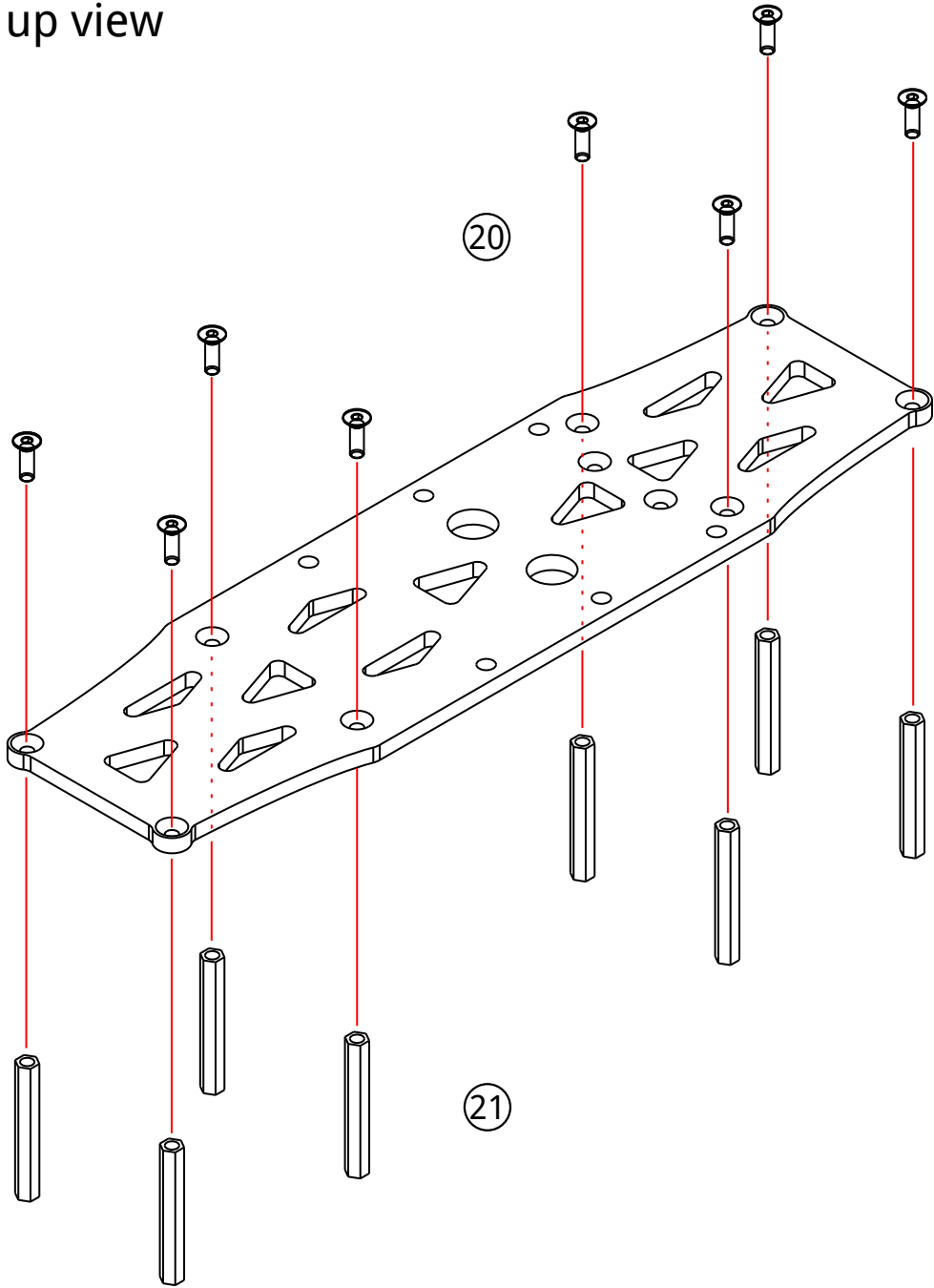
⑲ 32x m3*6 socked head screw



The top plate has just holes while the bottom plate has thread inserts. Make sure the protruding parts on them point away from the arm/ to the bottom

07

Bottom up view

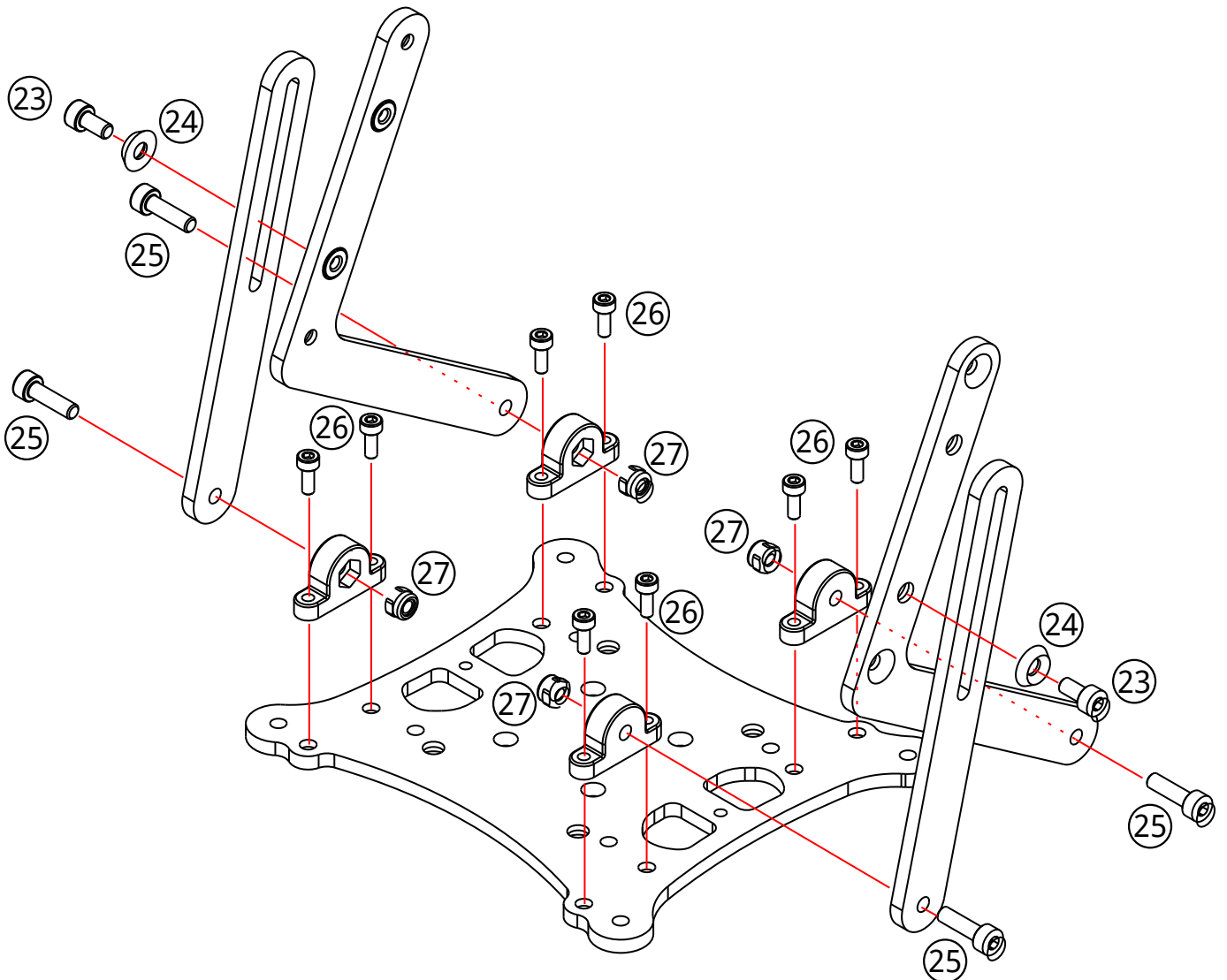
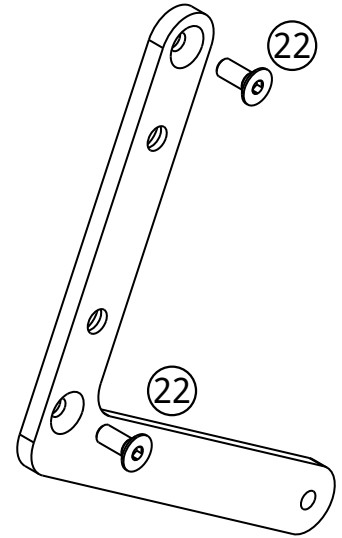


- (20) 8x m3*10 countersunk screw
- (21) 8x m3*35 standoff
(already installed on top plate)

08

Install the L-shaped braked
on your camera first

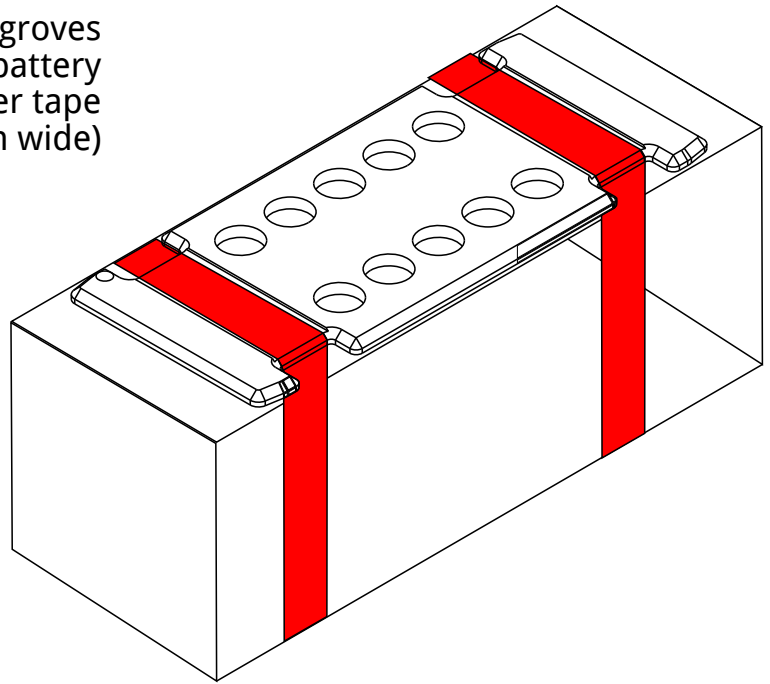
- ②② 4x m3*10 countersunk screw
- ②③ 2x m4*8 socked head screw
- ②④ 2x cap head screw washer
- ②⑤ 4x m4*14 socked head screw
- ②⑥ 8x m3*8 countersunk screw
- ②⑦ 4x m4 locknuts



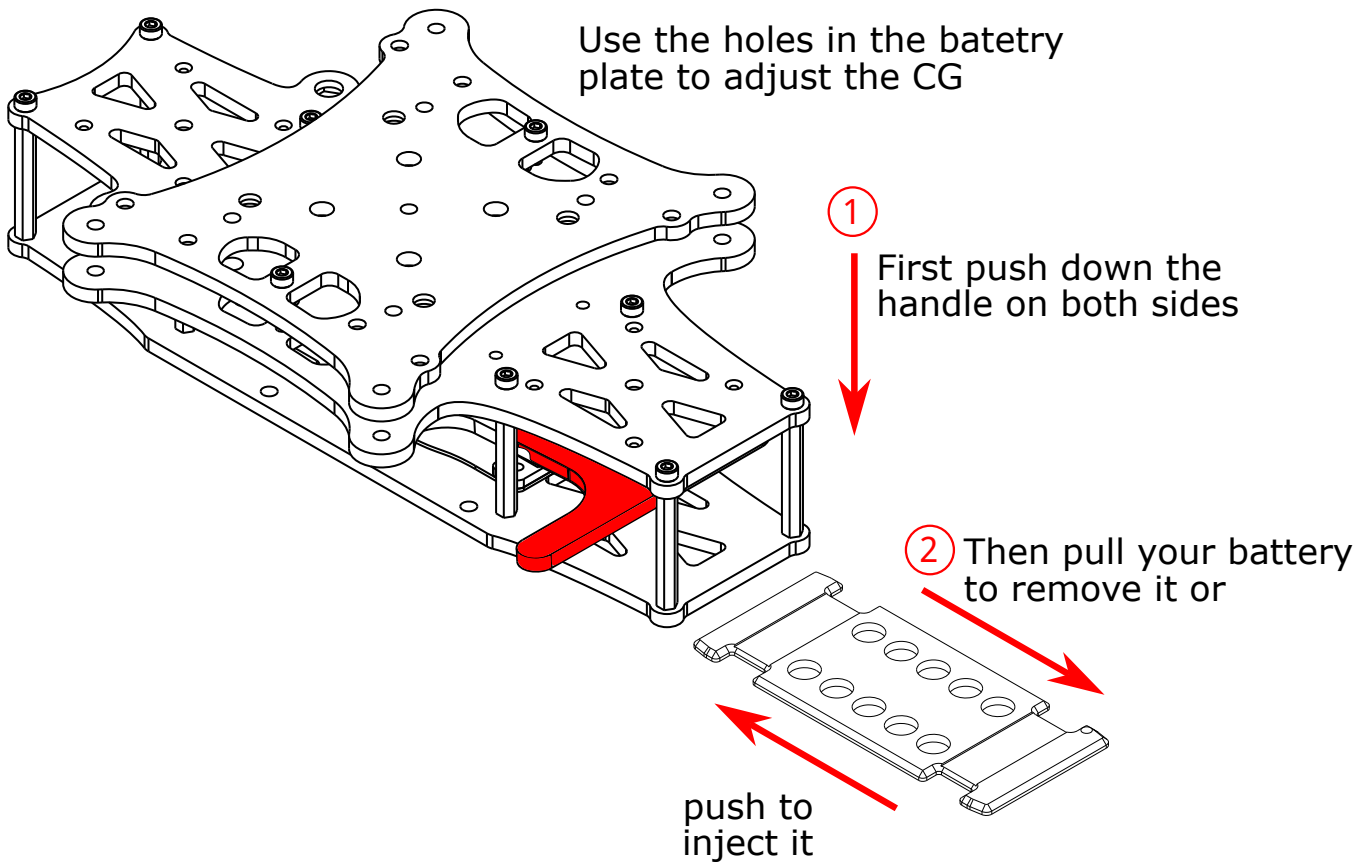
09 Prepare, mount, and eject the batteries

Place the battery plate with the groves pointing away from your battery and properly fixate it with fiber tape straps (max 12mm wide)

Make sure to mount the two neoprene spacers between the battery and the plate. Best position is under the grooves for the tape

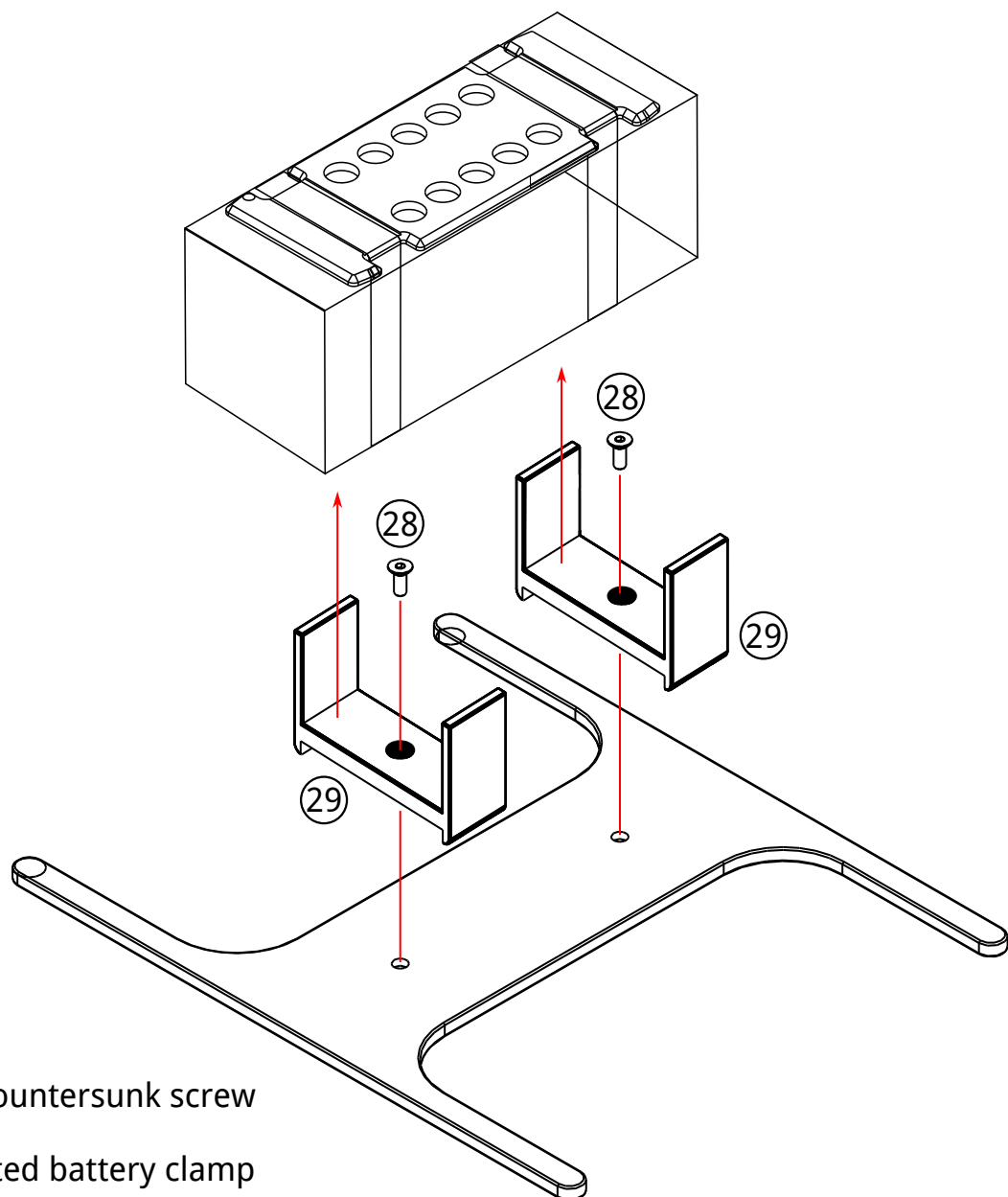


Use the holes in the battery plate to adjust the CG



10 Landing plate installation

The landing plate snaps on to your battery and hold by just friction.
if you use a different battery then the recommended,
you might need to adjust the part to your needs
(to small) or support it by some velcro (to loose)



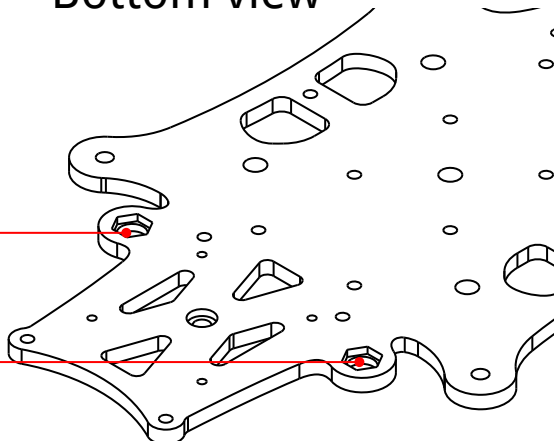
②⑧ 8x m3*8 countersunk screw

②⑨ 2x 3D printed battery clamp

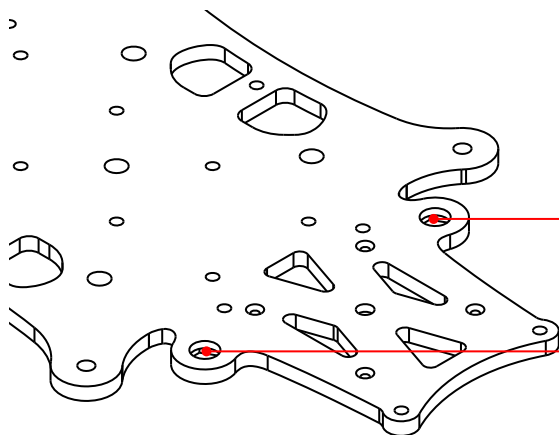
11 DJI Air Unit antenna and main unit installation

Bottom view

Install the hex-base of the SMA adapter in the cutout holes

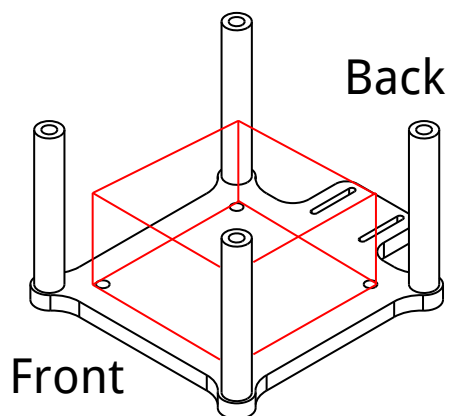


Install the SMA nut on the top plate and tighten it



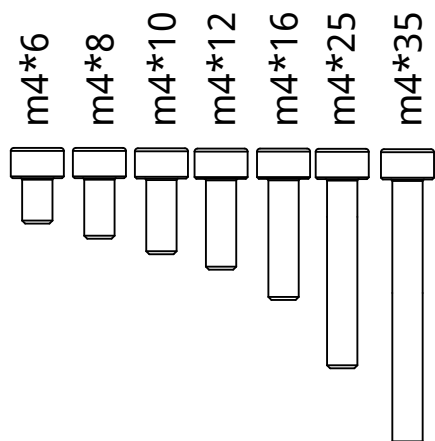
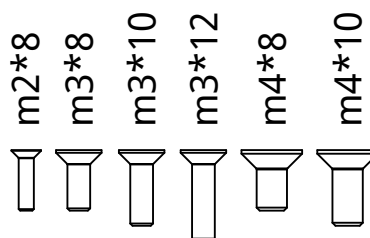
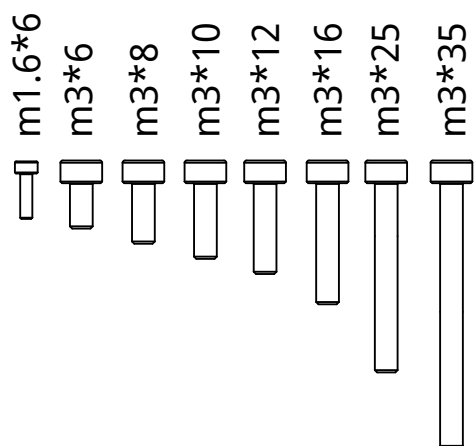
When you bend the antennas to the sides, they will not interfere with the Komodo lens and ensure a proper video signal

Install your Air Unit on the front mounting plate. Use the included screws (m1.8*8) to mount it to the plate.



12 Screw template

If you want to know the size of your screw, hold it against the templates, and search for the matching picture



*print this page on a A4 size paper without any wrapping etc for the correct sizes